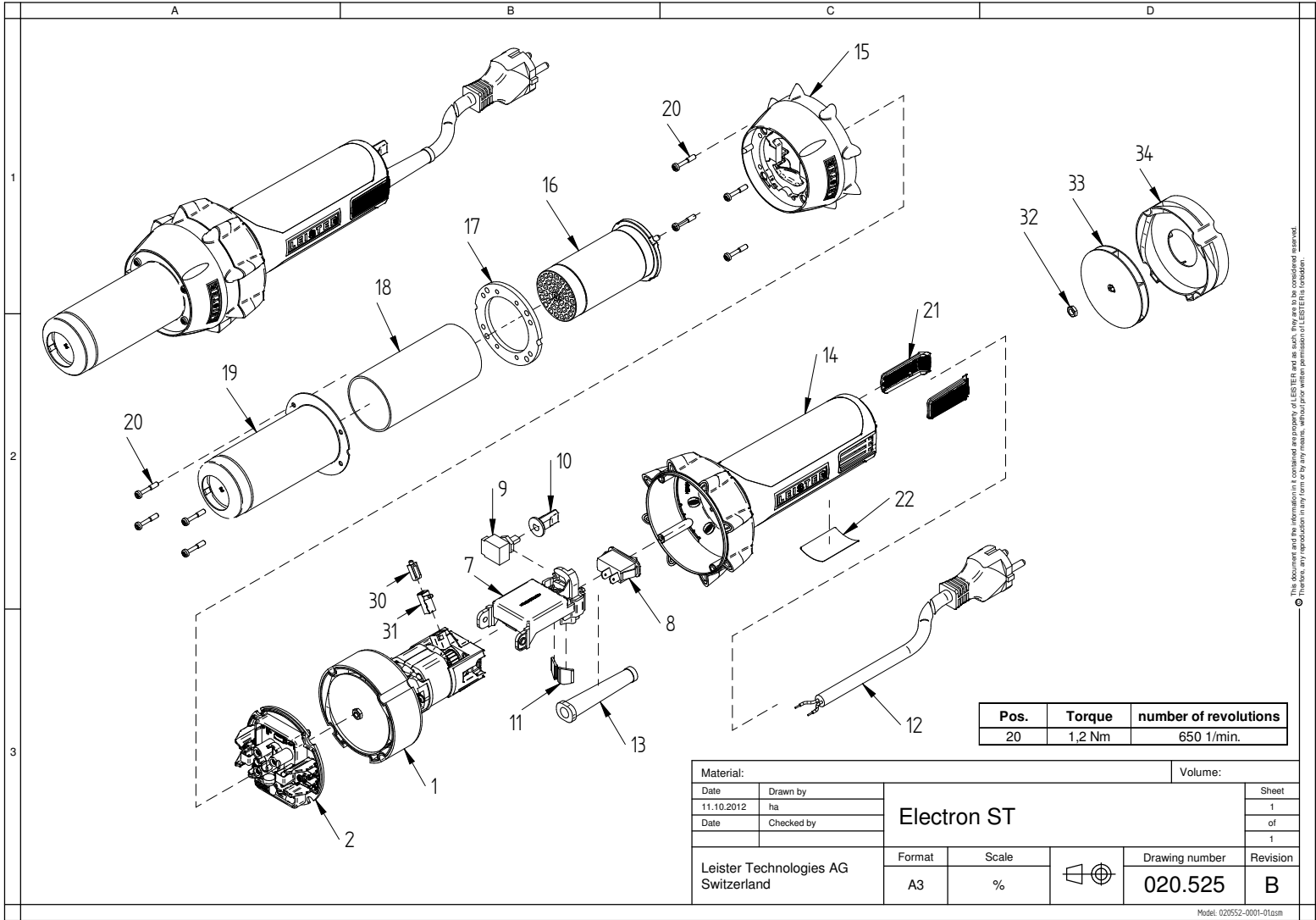


**SOUFFLERIE ELECTRON ST**  
**Réf. 95069**

<b>REF</b>	<b>DESIGNATION</b>	<b>REP ECLATEE</b>
95006	RESISTANCE	<b>16</b>
97217	PAIRE DE CHARBON	<b>30</b>
97545	INTERRUPTEUR	<b>8</b>



Pos.	Torque	number of revolutions
20	1,2 Nm	650 1/min.

Material:		Volume:			
Date	Drawn by	Electron ST		Sheet	
11.10.2012	ha			1	
Date	Checked by	Leister Technologies AG Switzerland		of	
				1	
Leister Technologies AG Switzerland		Format	Scale	Drawing number	Revision
		A3	%	020.525	B

Model: 020552-0001-01asm

This document and its contents are the property of Leister AG. All rights reserved. The reproduction, distribution, or use of this document without the written permission of Leister AG is prohibited.